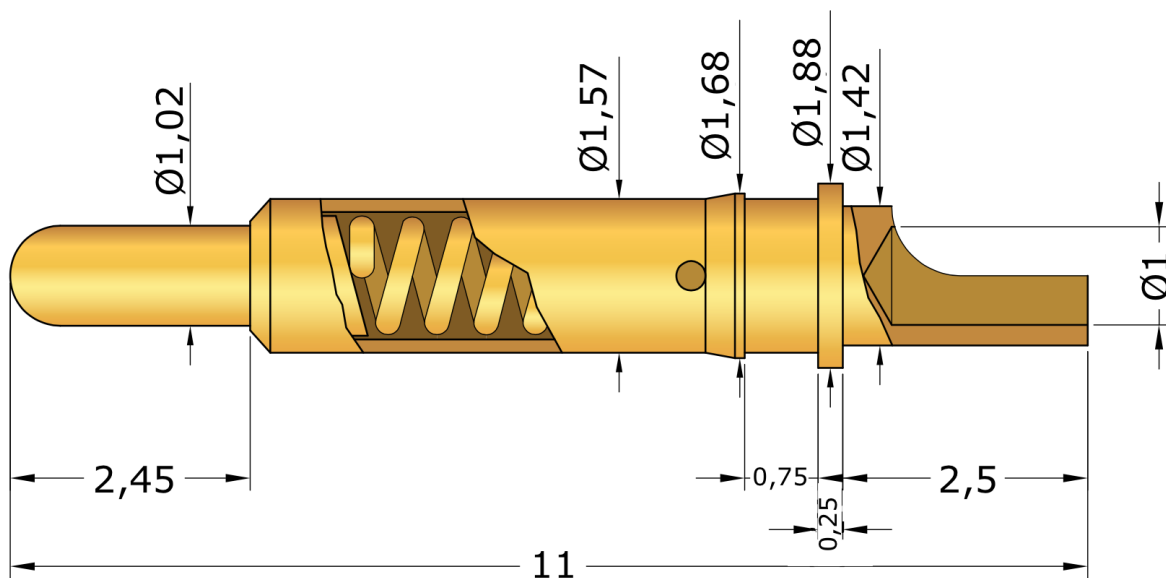


[Download data sheet \(PDF\)](#)

Battery Contact Pin BKS-611

GRID: 2,54 mm / 100 mil



Technical Data

GRID:	2,54 mm / 100 mil
Working stroke:	2,3 mm
Maximum stroke:	2,4 mm
Contact resistance typical:	<10 mΩ
Current rating:	10 A
Spring force at working stroke:	0,80 N

Material

Plunger:	Brass, gold or nickel plated
Barrel:	Brass, gold plated
Spring:	Music wire, gold plated

Tip styles for BKS-611



Tip No.:

09

Specifications:

1,02

Tip diameter:

Further tip styles on demand.

subject to change